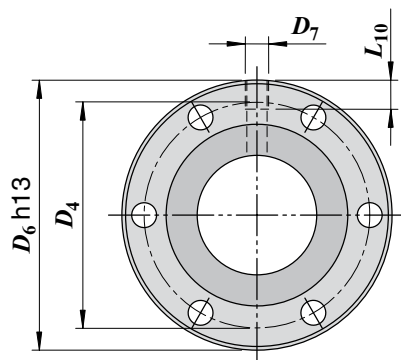


Codice madrevite	Diametro nominale filetto d_0 [mm]	Passo elica filetto P_h [mm]	Diametro sfera D_w [mm]	N° principi filetto	N° circuiti sfere	Carico dinamico C_a [kN]	Carico statico C_{0a} [kN]	Gioco assiale max. [mm]	Flangia tipo	Dimensioni [mm]									
										D_1	D_4	D_5	D_6	D_7	L_1	L_3	L_7	L_{10}	L
SFN-S.20.05.3R	20	5	3.175	1	3	10.4	18.4	0.05	1	36	47	6.6	58	M6	10	5	10	8	48
SFN-S.20.05.5R	20	5	3.175	1	5	15.7	28.5	0.05	1	36	47	6.6	58	M6	10	5	10	8	63
SFN-S.20.20.2R	20	20	3.175	1	2	7.0	11.6	0.05	1	36	47	6.6	58	M6	10	5	10	8	70
SFN-S.25.06.5R	25	6	3.969	1	5	23.4	44.3	0.06	1	40	51	6.6	62	M6	10	6	10	8	67
SFN-S.25.10.3R	25	10	3.969	1	3	15.6	28.6	0.06	1	40	51	6.6	62	M6	10	6	10	8	69
SFN-S.32.10.5R	32	10	6.350	1	5	44.0	77	0.10	1	50	65	9	80	M6	16	6	12	8	100
SFN-S.32.20.3R	32	20	6.350	1	3	27.9	45.6	0.10	1	50	65	9	80	M6	16	6	12	8	112
SFN-S.32.32.2R	32	32	6.350	1	2	21.2	34.9	0.10	1	56	71	9	86	M6	20	6	14	8	91
SFN-S.40.10.5R	40	10	6.350	1	5	52	107	0.10	2	63	78	9	93	M8x1	16	7	14	10	103
SFN-S.40.20.3R	40	20	6.350	1	3	33.4	64	0.10	2	63	78	9	93	M8x1	25	7	14	10	115
SFN-S.40.40.2R	40	40	6.350	1	2	24.3	46.2	0.10	2	63	78	9	93	M8x1	25	7	14	10	107
SFN-S.50.10.5R	50	10	7.144	1	5	72	163	0.11	2	75	93	11	110	M8x1	16	7	16	10	106
SFN-S.50.20.4R	50	20	7.144	1	4	56	121	0.11	2	75	93	11	110	M8x1	16	7	16	10	142
SFN-S.63.10.5R	63	10	7.144	1	5	80	209	0.11	2	90	108	11	125	M8x1	16	7	18	10	108
SFN-S.63.20.4R	63	20	9.525	1	4	88	191	0.14	2	95	115	13.5	135	M8x1	25	9	20	10	155
SFN-S.80.16.5R	80	16	9.525	1	5	129	341	0.14	2	125	145	13.5	165	M8x1	25	9	25	10	157
SFN-S.100.16.5R	100	16	9.525	1	5	147	454	0.14	2	150	176	17.5	202	M8x1	25	9	30	10	165

Flangia tipo 1
6 fori a 60°
($d_0 < 40$ mm)



Flangia tipo 2
8 fori a 45°
($d_0 \geq 40$ mm)

